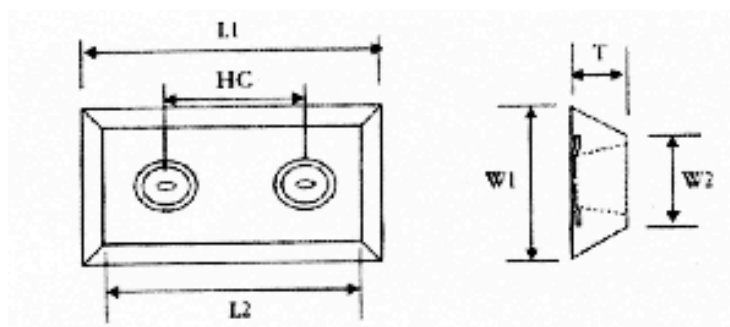


ALUMINIUM SACRIFICIAL ANODES



Anode Ref.	L1 (mm)	L2 (mm)	W1 (mm)	W2 (mm)	T (mm)	HC (mm)	Nett weight (Kg)	Gross weight (Kg)
ATA 014	200	190	100	90	30	110	1.3	1.4
ATA 033	300	282	150	132	31	160	3.0	3.3
ATA 064	300	292	150	142	58	160	6.1	6.4

Anode characteristics:

- Open circuit potential: -1.07V (Ag/AgCl reference cell).
- Anode capacity: 2550 Amp. Hr/Kg.
- Consumption rate: 3.4 Kg/Amp. Yr.

Chemical composition:

Zn%	Cu%	Si%	Fe%	In%	Al%
2.0-5.0%	0.05% max.	0.13% max.	0.13% max.	0.01-0.05% max.	Remainder